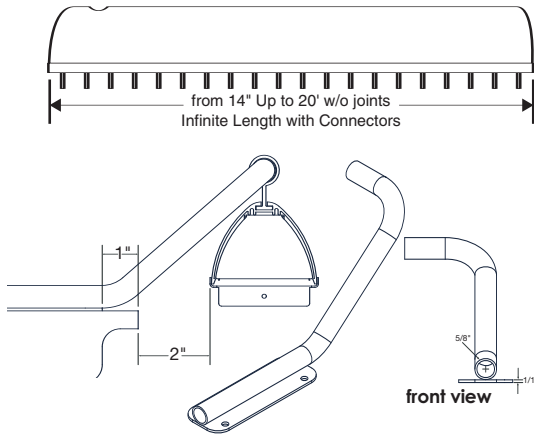


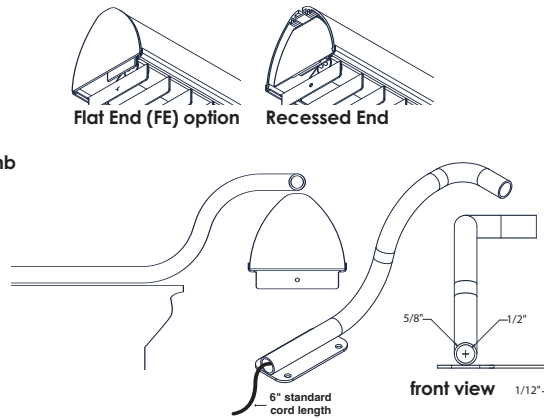
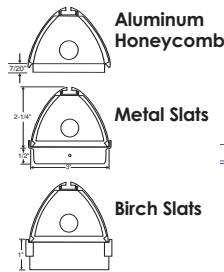
TASK LIGHTING

14/21/28/35 Watt Energy-Saving T5 Fluorescent

Par 5 Series



shown with CB1 Custom Bracket Installation option.



shown with CB2 Custom Bracket Installation option.



SPECIFICATIONS

- **HOUSING**— Heavy extruded aluminum for maximum strength and rigidity
- **END CAPS**— Recessed (1/5") on both ends Standard. Optional Flush End Caps (**FE**) on both ends.
- **REFLECTOR**— Polished Specular Aluminum Reflector
- **FINISH**— All metal parts are phosphate pre-treated and finished in Black (BK), Bronze (BZ), Natural Aluminum (NA) and White (WHT) oven baked polyester powder coat. Custom Colors (CC) also available: **RAL — specify Color and Number.**
- **LOUVER**— Anti-Glare; Standard metal slats (MS) with Standard Anodized Finish; Optional wooden birch (WB) unstained slats and clear aluminum honeycomb (HC) louver
- **LAMPS**— F14, F21, F28, F35T5 Bi-Pin; High Output F54, F80T5-HO Bi-Pin(see lamp lengths in Ordering Information below for minimum fixture length) — BY OTHERS
- **BALLAST**— 120 Volt Electronic Ballast (277 Volt optional)
- **MOUNTING**— Pendant (PEND) Ceiling Mount wire suspension (AC), 24" Standard, Custom Designed Brackets (**CB1**) or (**CB2**). Custom Designed Metal Supports (CDMS) also available.
- **CUSTOM LENGTHS**— From 14" to 20' Length without joints. Infinite length with connectors. Optional custom lengths (CL) available.

SUBMITTAL INFORMATION

Project _____

Location _____

Catalog No. _____

Fixture Type _____

ORDERING INFORMATION

	Example:	par 5-S	T5-HO	(1)54	120	EB	FE MS CB1
SERIES							
par 5-S	=	Par 5 24" Small Series					
par 5-M	=	Par 5 36" Medium Series					
par 5-L	=	Par 5 48" Large Series					
par 5-XL	=	Par 5 60" Extra Large Series					
par 5-XL1	=	Par 5 72" XL1 Series					
par 5-XL2	=	Par 5 96" XL2 Series					
LAMP TYPE							
T5	=	F14 (24"), F21 (36"), F28 (48") or F35 (60") Watt, T5 Fluorescent Bi-Pin Lamps					
T5-HO	=	F54 (48"), F80 (60") High Output T5-HO Fluorescent Bi-Pin Lamps					
WATTAGE							
T5	=	1 Lamp, 14, 21, 28 or 35 Watt					
T5-HO	=	1 Lamp, 54 or 80 Watt					
VOLTAGE							
120	=	120 Volts					
277	=	277 Volts					
POWER FACTOR							
EB	=	Electronic Ballast					
OPTIONS							
AC	=	Aircraft Cables, Specify Length					
CB1	=	Custom Bracket Option One (angle)					
CB2	=	Custom Brackets option Two (s-curve)					
CDMS	=	Custom Designed Metal Supports					
CL	=	Custom Lengths (consult Factory)					
CO	=	3' Cord Specify Color: BK=Black; WHT=White					
FE	=	Flush End					
FUS	=	GLR Fuse and Fuseholder					
HC	=	Honeycomb Louver					
MS	=	Louver of Metal Slats					
NA	=	Natural Aluminum Finish					
PEND	=	Pendant Suspension (with AC)					
REL	=	Remote Emergency Battery Pack					
WB	=	Louver of unstained Wooden Birch Slats					
BK	=	Black Finish					
BZ	=	Bronze Finish					
CC	=	Custom Color Finish (consult Factory – RAL, specify color & number)					
WHT	=	White Finish					

We reserve the right to revise the design or components of any product due to parts availability or change in UL standards, without assuming any obligation or liability to modify any products previously manufactured and without notice. This literature depicts a product DESIGN that is the SOLE and EXCLUSIVE PROPERTY of ECLIPSE LIGHTING, INC.—An Illinois Corporation. In compliance with U.S. COPYRIGHT and PATENT requirements, notification is hereby presented in this form that this literature, or the product it depicts, is NOT to be copied, altered or used in any manner without the express written consent of, or contrary to the best interests of, ECLIPSE LIGHTING, INC.—05/04/1994



920247 Waukegan St.
 Schiller Park, IL 60676
 Phone (847) 252-0833 Fax (847) 252-0834
 e-mail: Parabolux@parabolux.com

PHOTOMETRICS DATA:

PAR 5 SERIES

test # I121901 PAR5-T5-(1)35W-WB
 direct lighting; birchwood slats

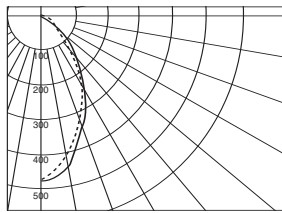
test # I121902 PAR5-T5-(1)35W-AL
 direct lighting; aluminum louver

Zonal Lumen Summary

Zone	Lumens	% Lamp	% Luminaire
0-30	284.6	29.5	48.9
0-40	369.2	36.9	68.2
0-60	483.1	48.3	89.3
60-90	57.8	5.8	10.7
0-90	540.9	54.1	100.0
90-180	0.0	0.0	0.0
0-180	540.9	54.1	100.0



Candela Summary: CP Curve and Table



Angle (cp)	Candela
0	100
1	99
2	98
3	97
4	96
5	95
6	94
7	93
8	92
9	91
10	90
11	89
12	88
13	87
14	86
15	85
16	84
17	83
18	82
19	81
20	80
21	79
22	78
23	77
24	76
25	75
26	74
27	73
28	72
29	71
30	70
31	69
32	68
33	67
34	66
35	65
36	64
37	63
38	62
39	61
40	60
41	59
42	58
43	57
44	56
45	55
46	54
47	53
48	52
49	51
50	50
51	49
52	48
53	47
54	46
55	45
56	44
57	43
58	42
59	41
60	40
61	39
62	38
63	37
64	36
65	35
66	34
67	33
68	32
69	31
70	30
71	29
72	28
73	27
74	26
75	25
76	24
77	23
78	22
79	21
80	20
81	19
82	18
83	17
84	16
85	15
86	14
87	13
88	12
89	11
90	10
91	9
92	8
93	7
94	6
95	5
96	4
97	3
98	2
99	1
100	0

Rm. Percentage=20%
 PCC=Ceiling Reflectance
 PWW=Wall Reflectance

Coefficients of Utilization

PCC>	80%			70%			50%		
	PW>	70%	50%	30%	70%	50%	30%	50%	30%
0	64	64	64	63	63	63	60	60	60
1	60	58	56	59	57	55	54	53	
2	56	52	49	55	51	49	49	47	
3	52	47	44	51	47	43	45	42	
4	49	43	39	48	43	39	41	38	
5	6	40	36	45	39	36	38	35	
6	43	37	33	42	36	32	35	32	
7	40	34	30	39	34	30	33	30	
8	38	32	28	37	31	28	31	27	
9	36	30	26	35	29	26	29	25	
10	34	28	24	33	28	24	27	24	

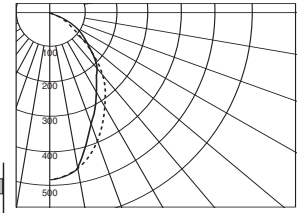
Room Cavity Ratio

Zonal Lumen Summary

Zone	Lumens	% Lamp	% Luminaire
0-30	239.9	30.0	40.0
0-40	443.7	44.4	59.2
0-60	662.8	66.3	88.5
60-90	86.2	8.6	11.5
0-90	749.0	74.9	100.0
90-180	0.0	0.0	0.0
0-180	749.0	74.9	100.0



Candela Summary: CP Curve and Table

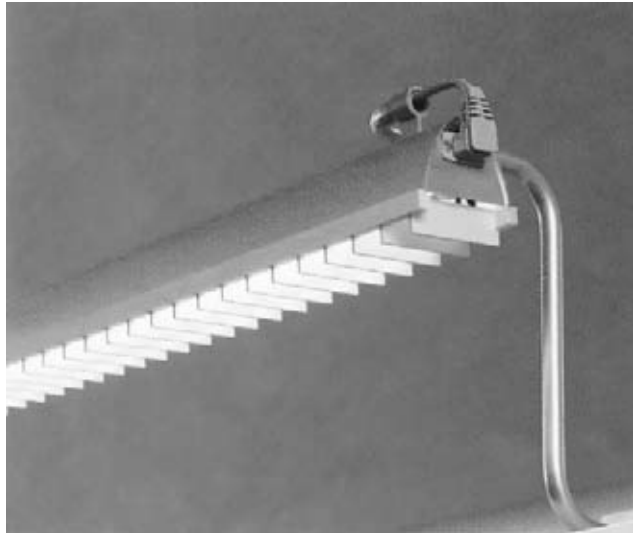


Rm. Percentage=20%
 PCC=Ceiling Reflectance
 PWW=Wall Reflectance

Coefficients of Utilization

PCC>	80%			70%			50%		
	PW>	70%	50%	30%	70%	50%	30%	50%	30%
0	89	89	89	87	87	87	83	83	83
1	83	80	77	81	78	76	76	73	
2	77	71	67	75	70	66	67	64	
3	71	64	59	69	63	58	61	57	
4	66	58	52	64	57	52	55	50	
5	61	53	47	60	52	46	50	45	
6	57	48	42	56	47	42	46	41	
7	53	44	38	52	43	38	42	37	
8	50	41	35	49	40	35	39	34	
9	47	38	32	46	37	32	36	32	
10	44	35	30	43	35	30	34	29	

Room Cavity Ratio



Shown with custom designed metal support (CDMS) and unstained wooden birch slats (WB)



Honeycomb



Metal Slats



Par 5 Series luminaires are truly compact, having a 3" width, various lengths (determined by lamp size), and 2-1/4" depth.

All Par 5 luminaires utilize T5 Fluorescent lamps (5/8" diameter). Standard electronic ballast ensures flicker-free light and energy saving, extending average lamp life to 16,000 hours.

Par 5 supports are manufactured from 5/8" diameter steel tubing, providing unrestricted design and installation flexibility.

Par 5 luminaires create stress-free lighting. They can be found in work-places, offices, libraries, public buildings, facades and kiosks. They offer ideal lighting for the following applications:

- Bookshelves
- Cubicles
- Narrow Area Illumination
- Office Machinery
- Presentation Boards
- Wall Hangings
- Indirect/Accent Lighting Applications



9245 W. Ivanhoe St.
 Schiller Park, IL 60176
 Phone: (847) 260-0333 / Fax: (847) 260-0341
 e-mail: ParaboluxINC@ureach.com